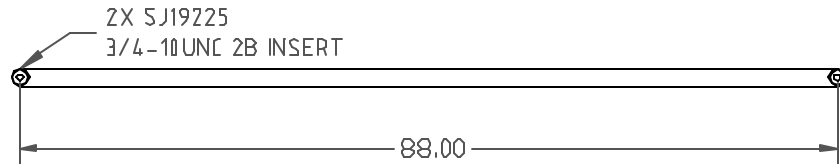
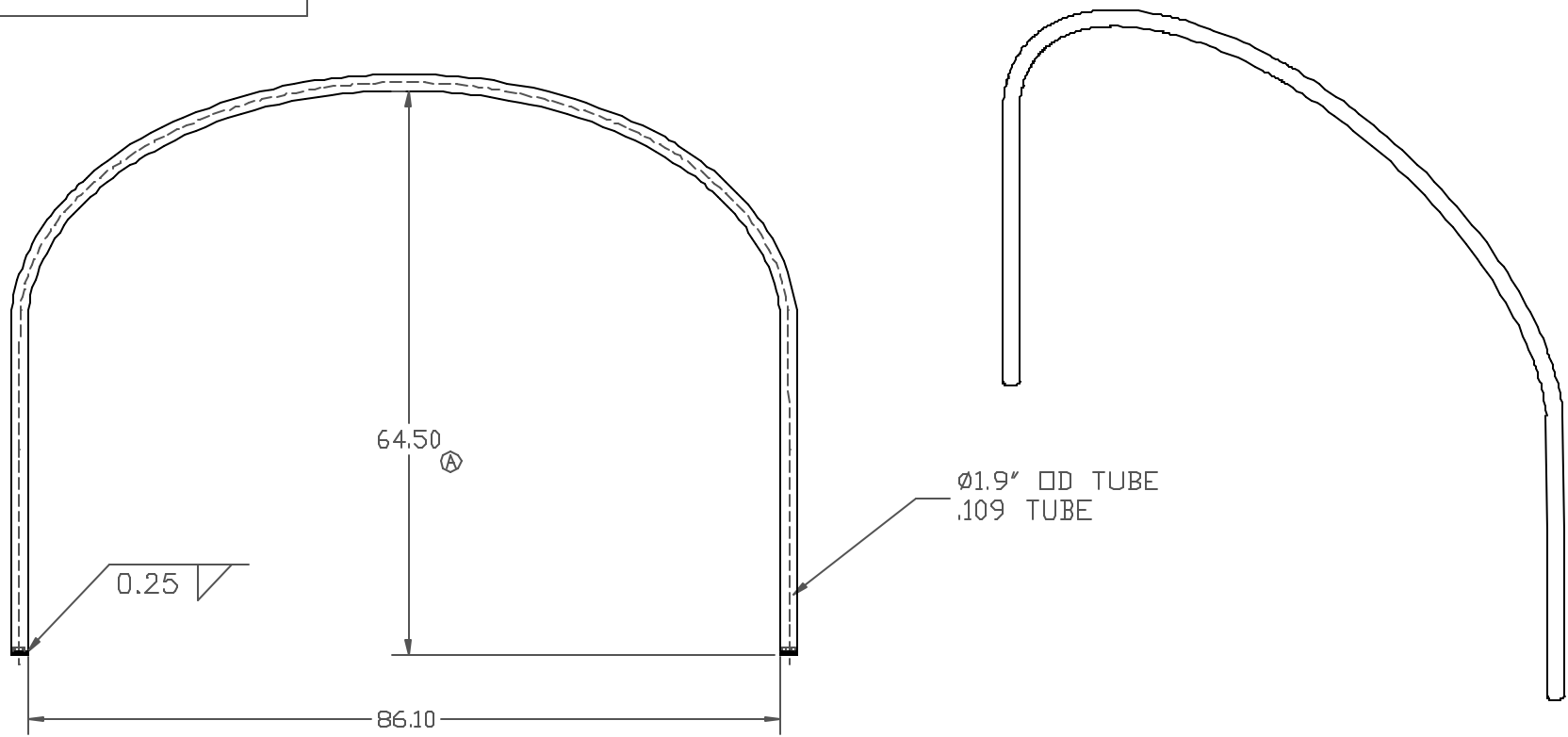


PROPRIETARY DATA

PROPERTY OF DEN HARTOG INDUSTRIES, INC. INFORMATION FURNISHED HEREIN IS THE PROPERTY OF DEN HARTOG INDUSTRIES, INC. AND SHALL NOT BE USED, DISCLOSED TO OTHERS, OR COPIED WITHOUT THE EXPRESSED WRITTEN CONSENT OF DEN HARTOG INDUSTRIES, INC. ALL RIGHTS RESERVED.

FS2750-HPS

A



		DRAWN / DATE DHJ 12/4/06		MATERIAL 1.9 RD MILD STEEL TUBING BLANK LENGTH 190" (A)	
A	WAS 64.25"	5/7/07	DHJ	APPRD. / DATE REH 5/9/07	NOTES: 1. WEIGHT 34 LBS. 2. BLACK COLOR POWDER COATED
REV	DESCRIPTION	DATE	APPRD		
ALL DIMENSIONS ARE IN DECIMAL INCHES TOLERANCES UNLESS OTHERWISE SPECIFIED ± .25"				THIRD ANGLE PROJECTION ANSI 14.5M 	

ACE ROTO-MOLD A DIVISION OF DEN HARTOG INDUSTRIES, INC. 4018 HWY. 60 BLVD, BOX 421, HOSPERS, IOWA 51238	
CLIENT / DESCRIPTION HOOP WITH THREADED INSERT FOR 2750 GALLON LEG TANK	
SCALE N.S.	PART NO. FS2750-HPS